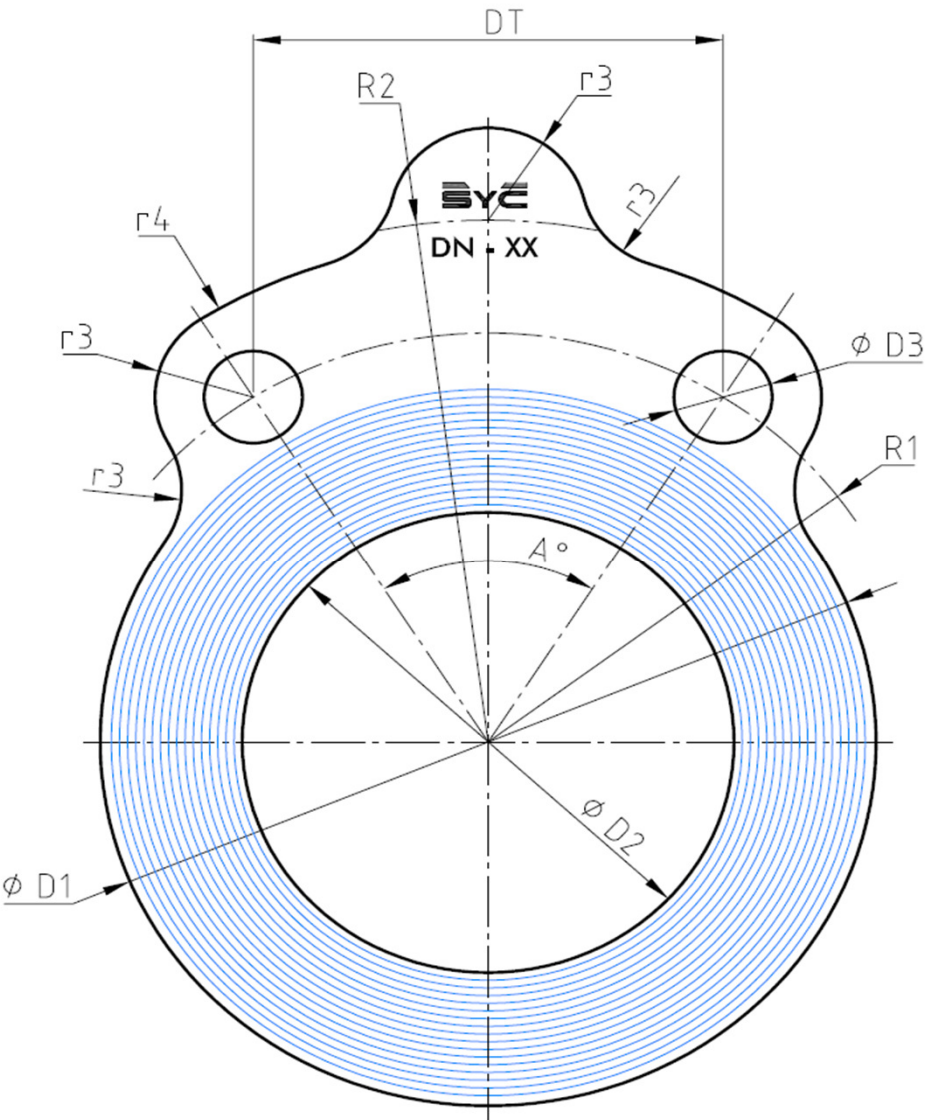


## JUNTAS DE GOMA TIPO 2 PN 10



DN	D1	D2	D3	DT	R1	A° (angle)	R2	r3	r4
80	140	89	18	113.14	80.0	90°	102.0	18.0	98.0
200	271	216	22	112.89	147.5	45°	196.0	30.0	177.5
250	326	267	22	90.59	175.0	30°	228.0	24.5	199.5
300	376	318	22	103.53	200.0	30°	241.0	20.0	220.0
350	436	350	22	89.74	230.0	22,5°	272.0	20.0	250.0
400	487	400	26	100.47	257.5	22,5°	343.5	36.0	-
450	537	450	26	88.39	282.5	18°	324.0	25.0	-
500	592	500	26	96.99	310.0	18°	350.0	25.0	-

**Espesor:** 3 mm (parte ranurada)  
2 mm (parte lisa)