

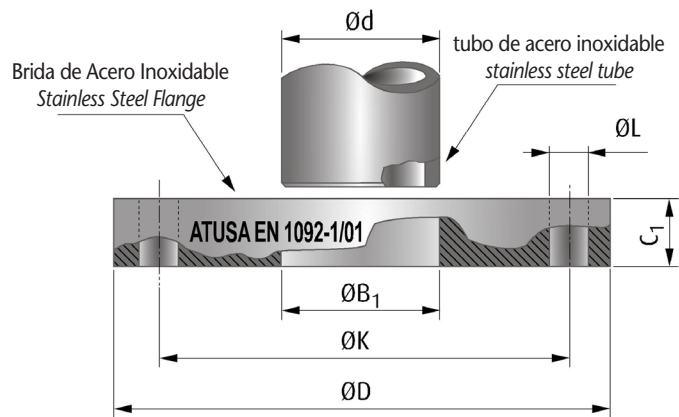
# BRIDA PLANA INOXIDABLE FORJADA EN 1092-1 Tipo 01 - PN 10/16/40

## STAINLESS STEEL FORGED PLATE FLANGE EN 1092-1 Type 01 - PN 10/16/40



PN 10/16/40

AISI 304L



### INFORMACIÓN TÉCNICA - TECHNICAL INFORMATION

| Designación - Designation |                             |        |         | Brida - Flange |  |   |  |  |                                 |                            | Tornillos - Bolting            |       | Peso aprox.<br>Weight aprox.<br>(kg) |
|---------------------------|-----------------------------|--------|---------|----------------|--|---|--|--|---------------------------------|----------------------------|--------------------------------|-------|--------------------------------------|
| COD.                      | Tubo de Acero<br>Steel tube |        |         | PN             | Diámetro exterior<br>Outside diameter<br>ØD (mm) | Diámetro del círculo para tornillos<br>Diameter of bolt circle<br>ØK (mm) | Diámetro para tornillo<br>Diameter of bolt hole<br>ØL (mm) | Diámetro interior<br>Bore diameter<br>ØB1 (mm) | Espesor<br>Thickness<br>C1 (mm) | Número<br>Number<br>nr (n) | Diámetro<br>Diameter<br>Ø (mm) |       |                                      |
|                           | DN                          | NPS    | Ød (mm) |                |  |   |  |  |                                 |                            |                                |       |                                      |
| IF414015                  | 15                          | 1/2"   | 21,3    | 40             | 95 ± 2,0   | 65 ± 1,0  | 14 +1,0/0  | 22,0 ± 0,5/0                                   | 14 +1,0/-1,3                    | 4                          | M12                            | 0,71  |                                      |
| IF414020                  | 20                          | 3/4"   | 26,9    | 40             | 105 ± 2,0  | 75 ± 1,0  | 14 +1,0/0  | 27,5 ± 0,5/0                                   | 16 +1,0/-1,3                    | 4                          | M12                            | 0,98  |                                      |
| IF414025                  | 25                          | 1"     | 33,7    | 40             | 115 ± 2,0  | 85 ± 1,0  | 14 +1,0/0  | 34,5 ± 0,5/0                                   | 16 +1,0/-1,3                    | 4                          | M12                            | 1,16  |                                      |
| IF414032                  | 32                          | 1 1/4" | 42,4    | 40             | 140 ± 2,0  | 100 ± 1,0   | 18 +1,0/0  | 43,5 ± 0,5/0                                   | 18 +1,0/-1,3                    | 4                          | M16                            | 1,62  |                                      |
| IF414040                  | 40                          | 1 1/2" | 48,3    | 40             | 150 ± 2,0  | 110 ± 1,0   | 18 +1,0/0  | 49,5 ± 0,5/0                                   | 18 +1,0/-1,3                    | 4                          | M16                            | 1,86  |                                      |
| IF416050                  | 50                          | 2"     | 60,3    | 40             | 165 ± 2,0  | 125 ± 1,0   | 18 +1,0/0  | 61,5 ± 0,5/0                                   | 20 ± 1,5                        | 4                          | M16                            | 2,47  |                                      |
| I4576065 <sup>2)</sup>    | 65                          | 2 1/2" | 76,1    | 16             | 185 ± 2,0  | 145 ± 1,0   | 18 +1,0/0  | 77,5 ± 0,5/0                                   | 18 +1,0/-1,3                    | 4                          | M16                            | 3,00  |                                      |
| IF416065                  | 65                          | 2 1/2" | 76,1    | 16             | 185 ± 2,0  | 145 ± 1,0   | 18 +1,0/0  | 77,5 ± 0,5/0                                   | 20 ± 1,5                        | 8                          | M16                            | 3,16  |                                      |
| IF416080                  | 80                          | 3"     | 88,9    | 16             | 200 ± 2,0  | 160 ± 1,0   | 18 +1,0/0  | 90,5 ± 0,5/0                                   | 20 ± 1,5                        | 8                          | M16                            | 3,77  |                                      |
| IF416100                  | 100                         | 4"     | 114,3   | 16             | 220 ± 2,0  | 180 ± 1,0   | 18 +1,0/0  | 116,0 ± 0,5/0                                  | 22 ± 1,5                        | 8                          | M16                            | 4,03  |                                      |
| IF416125                  | 125                         | 5"     | 139,7   | 16             | 250 ± 2,0  | 210 ± 1,0   | 18 +1,0/0  | 141,5 +1,0/0                                   | 22 ± 1,5                        | 8                          | M16                            | 5,60  |                                      |
| IF416150                  | 150                         | 6"     | 168,3   | 16             | 285 ± 2,0  | 240 ± 1,0   | 22 +1,0/0  | 170,5 +1,0/0                                   | 24 ± 1,5                        | 8                          | M20                            | 6,57  |                                      |
| IF411200                  | 200                         | 8"     | 219,1   | 10             | 340 ± 3,0  | 295 ± 1,0   | 22 +1,0/0  | 221,5 +1,0/0                                   | 24 ± 1,5                        | 8                          | M20                            | 10,00 |                                      |
| IF416200                  | 200                         | 8"     | 219,1   | 16             | 340 ± 3,0  | 295 ± 1,0   | 22 +1,0/0  | 221,5 +1,0/0                                   | 26 ± 1,5                        | 12                         | M20                            | 9,31  |                                      |
| IF411250                  | 250                         | 10"    | 273,0   | 10             | 395 ± 3,0  | 350 ± 1,0   | 22 +1,0/0  | 276,5 +1,0/0                                   | 26 ± 1,5                        | 12                         | M20                            | 12,15 |                                      |
| IF416250                  | 250                         | 10"    | 273,0   | 16             | 405 ± 3,0  | 355 ± 1,0   | 26 +1,0/0  | 276,5 +1,0/0                                   | 29 ± 1,5                        | 12                         | M24                            | 13,40 |                                      |
| IF411300                  | 300                         | 12"    | 323,9   | 10             | 445 ± 3,0  | 400 ± 1,0   | 22 +1,0/0  | 327,5 +1,0/0                                   | 26 ± 1,5                        | 12                         | M20                            | 14,05 |                                      |
| I4502300 <sup>1)</sup>    | 300                         | 12"    | 323,9   | 16             | 460 ± 3,0  | 410 ± 1,0   | 26 +1,0/0  | 327,5 +1,0/0                                   | 28 ± 1,5                        | 12                         | M24                            | 17,40 |                                      |
| IF416300                  | 300                         | 12"    | 323,9   | 16             | 460 ± 3,0  | 410 ± 1,0   | 26 +1,0/0  | 327,5 +1,0/0                                   | 32 ± 1,5                        | 12                         | M24                            | 18,98 |                                      |
| IF411350                  | 350                         | 14"    | 355,6   | 10             | 505 ± 3,0  | 460 ± 1,0   | 22 +1,0/0  | 359,5 +1,0/0                                   | 30 ± 1,5                        | 16                         | M20                            | 20,60 |                                      |
| I4502350 <sup>1)</sup>    | 350                         | 14"    | 355,6   | 16             | 520 ± 3,0  | 470 ± 1,0   | 26 +1,0/0  | 359,5 +1,0/0                                   | 30 ± 1,5                        | 16                         | M24                            | 26,00 |                                      |
| IF416350                  | 350                         | 14"    | 355,6   | 16             | 520 ± 3,0  | 470 ± 1,0   | 26 +1,0/0  | 359,5 +1,0/0                                   | 35 ± 1,5                        | 16                         | M24                            | 28,20 |                                      |
| IF411400                  | 400                         | 16"    | 406,4   | 10             | 565 ± 3,0  | 515 ± 1,0   | 26 +1,0/0  | 411,0 +1,0/0                                   | 32 ± 1,5                        | 16                         | M24                            | 28,50 |                                      |
| I4502400 <sup>1)</sup>    | 400                         | 16"    | 406,4   | 16             | 580 ± 3,0  | 525 ± 1,5   | 30 +2,5/0  | 411,0 +1,0/0                                   | 32 ± 1,5                        | 16                         | M27                            | 30,90 |                                      |
| IF416400                  | 400                         | 16"    | 406,4   | 16             | 580 ± 3,0  | 525 ± 1,5   | 30 +2,5/0  | 411,0 +1,0/0                                   | 38 ± 1,5                        | 16                         | M27                            | 35,86 |                                      |
| IF411450                  | 450                         | 18"    | 457,0   | 10             | 615 ± 3,0  | 565 ± 1,0   | 26 +1,0/0  | 462,0 +1,5/0                                   | 36 ± 1,5                        | 20                         | M24                            | 35,00 |                                      |
| IF411500                  | 500                         | 20"    | 508,0   | 10             | 670 ± 3,0  | 620 ± 1,0   | 26 +1,0/0  | 513,5 +1,5/0                                   | 38 ± 1,5                        | 20                         | M24                            | 41,00 |                                      |
| I4502500 <sup>1)</sup>    | 500                         | 20"    | 508,0   | 16             | 715 ± 3,0  | 650 ± 1,5   | 33 +2,5/0  | 513,5 +1,5/0                                   | 38 ± 1,5                        | 20                         | M30                            | 54,00 |                                      |
| IF416500                  | 500                         | 20"    | 508,0   | 16             | 715 ± 3,0  | 650 ± 1,5   | 33 +2,5/0  | 513,5 +1,5/0                                   | 46 ± 1,5                        | 20                         | M30                            | 64,02 |                                      |

1) Conforme DIN 2502 - According to DIN 2502.

2) Conforme DIN 2576 y DIN 2502 - According to DIN 2576 and DIN 2502.



**INFORMACIÓN TÉCNICA - TECHNICAL INFORMATION**

| Designación - Designation |                          |     |         | Brida - Flange |                                    |   |  |                                 |                     |               | Tornillos - Bolting |       | Peso aprox. Weight aprox. (kg) |
|---------------------------|--------------------------|-----|---------|----------------|------------------------------------|---|--|---------------------------------|---------------------|---------------|---------------------|-------|--------------------------------|
| COD.                      | Tubo de Acero Steel tube |     |         | PN             | Diámetro exterior Outside diameter | Diámetro del círculo para tornillos Diameter of bolt circle | Diámetro para tornillo Diameter of bolt hole | Diámetro interior Bore diameter | Espesor Thickness   | Número Number | Diámetro Diameter   |       |                                |
|                           | DN                       | NPS | Ød (mm) |                | ØD (mm)                            | ØK (mm)   | ØL (mm)                                      | ØB <sub>1</sub> (mm)            | C <sub>1</sub> (mm) | nr (n°)       | Ø (mm)              |       |                                |
| IF411600 <sup>3)</sup>    | 600                      | 24" | 610,0   | 10             | 780 ± 5,0                          | 725 ± 1,5   | 30 +2,5/0                                    | 616,5 +1,5/0                    | 34 ± 1,5            | 20            | M27                 | 46,68 |                                |
| IF416600 <sup>1)</sup>    | 600                      | 24" | 610,0   | 16             | 840 ± 5,0                          | 770 ± 1,5   | 36 +2,5/0                                    | 616,5 +1,5/0                    | 38 ± 1,5            | 20            | M33                 | 70,19 |                                |
| IF411700 <sup>3)</sup>    | 700                      | 28" | 711,0   | 10             | 895 ± 5,0                          | 840 ± 1,5   | 30 +2,5/0                                    | 716,0 +3,0/0                    | 34 ± 1,5            | 24            | M27                 | 59,21 |                                |
| IF416700 <sup>1)</sup>    | 700                      | 28" | 711,0   | 16             | 910 ± 5,0                          | 840 ± 1,5   | 36 +2,5/0                                    | 716,0 +3,0/0                    | 38 ± 1,5            | 24            | M33                 | 72,00 |                                |
| IF411800 <sup>3)</sup>    | 800                      | 32" | 813,0   | 10             | 1015 ± 5,0                         | 950 ± 1,5   | 33 +2,5/0                                    | 818,0 +3,0/0                    | 38 ± 1,5            | 24            | M30                 | 82,61 |                                |
| IF416800 <sup>1)</sup>    | 800                      | 32" | 813,0   | 16             | 1025 ± 5,0                         | 950 ± 1,5   | 39 +2,5/0                                    | 818,0 +3,0/0                    | 42 ± 1,5            | 24            | M36                 | 95,72 |                                |

1) Conforme DIN 2502 - According to DIN 2502.

3) Bridas no normalizadas - Non-standard flanges.

**CARACTERÍSTICAS BÁSICAS**

- Brida conforme UNE-EN 1092-1 Tipo 01.
- Brida conforme DIN 2502 si señalada con 1) o DIN 2576 y DIN 2502 si señalada con 2).
- Material: Acero Inoxidable X2CrNi18-9 / 1.4307 (AISI 304L) conforme a UNE-EN 10222-5.
- Tipo de refrentado: Tipo A, Cara Plana.
- Todas las instalaciones deben cumplir los valores P-T según los requisitos legales especificados.

**APLICACIONES GENERALES**

- Sistemas de aguas generales.
- Instalaciones de Agua Potable.
- Plantas de abastecimiento, bombeo y acometidas de aguas.
- Aplicaciones industriales de agua, gas, vapor, condensados y aceites.
- Instalaciones Contra Incendios.
- Industria química, alimentaria, térmica y farmacéutica.
- Aire comprimido.

**Observaciones:**

Dada la complejidad, variedad y gran cantidad de especificaciones particulares de cada instalación, en conjunción con la existencia de diversos factores que pueden afectar a las condiciones de trabajo y naturaleza del producto, es responsabilidad del usuario final realizar los ensayos necesarios para garantizar el correcto funcionamiento del producto en cada aplicación concreta.

La instalación del producto deberá realizarse y mantenerse siguiendo códigos de buena práctica y/o estándares existentes.

**BASIC FEATURES**

- Flange according to EN 1092-1 Type 01.
- Flange according to DIN 2502 if checked with 1) or DIN 2576 and DIN 2502 if checked with 2).
- Material: Stainless Steel X2CrNi18-9 / 1.4307 (AISI 304L) according to EN 10222-5.
- Flange facing type: Type A, Flat Face.
- All installations has to meet the P-T values specified in the legal requirements.

**GENERAL APPLICATIONS**

- Water systems.
- Installations of Water for Human consumption.
- Water supply, pumping and connection plants.
- Industrial applications of water, gas, steam, condensates and oils.
- Fire Fighting Installations.
- Chemical, food, thermal and pharmaceutical industries.
- Compressed air.

**Remarks:**

Due to the complexity, variety and large number of particular specifications for each installation, along with the existence of diverse factors which can affect the working conditions and nature of the product, it is the responsibility of the end-user to carry out the necessary tests to ensure the proper functioning of the product in any specific application.

Product installation must be carried out and maintained following the good practice codes and/or updated technical standards.

Nota : Debido al constante desarrollo de nuestros productos, los datos suministrados pueden ser alterados sin previo aviso.

Note : Due to the continuous development of our products, specifications may be changed without notification at any time.

Rev.2-10.21  
2/2

