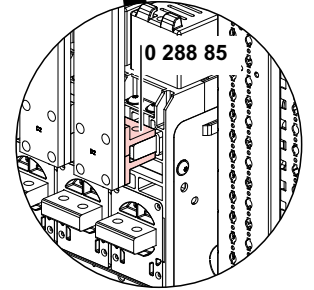
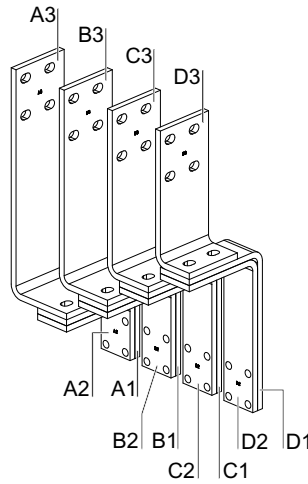
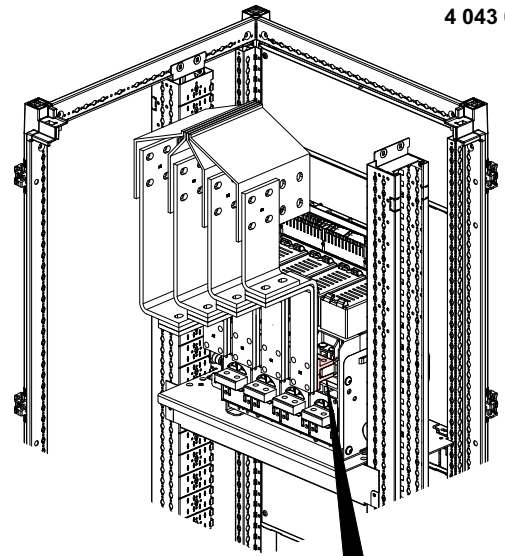
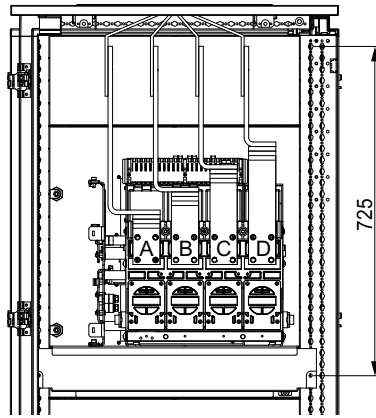
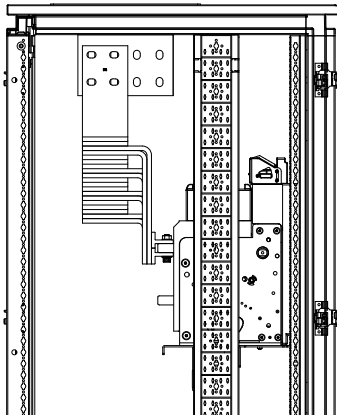
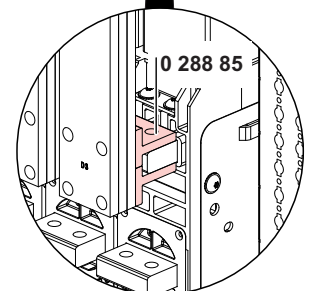
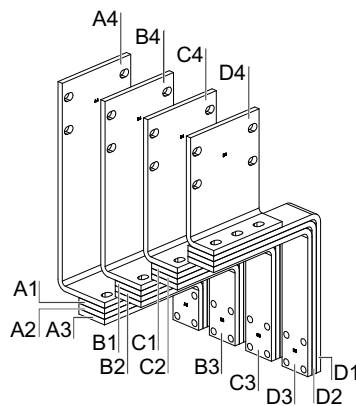
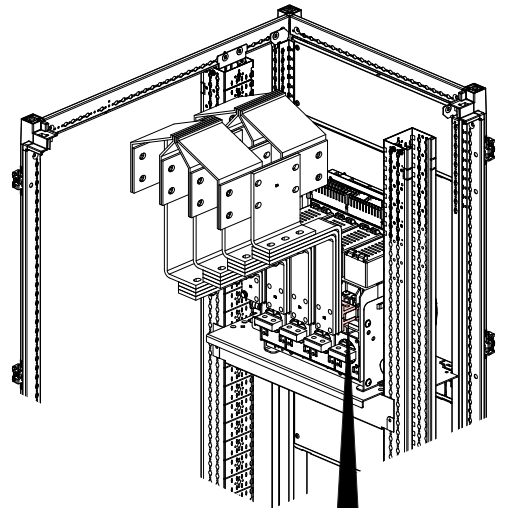
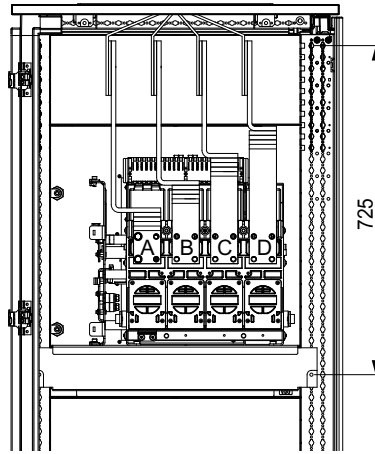
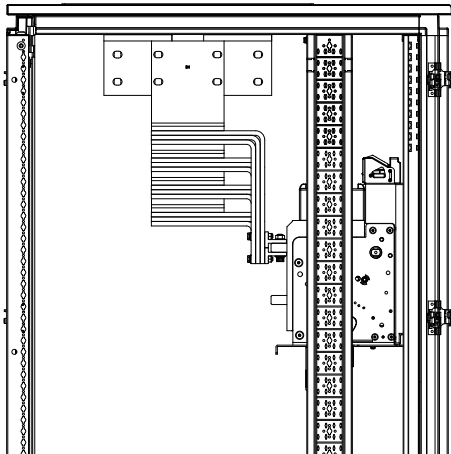


4 043 00  
4 043 01



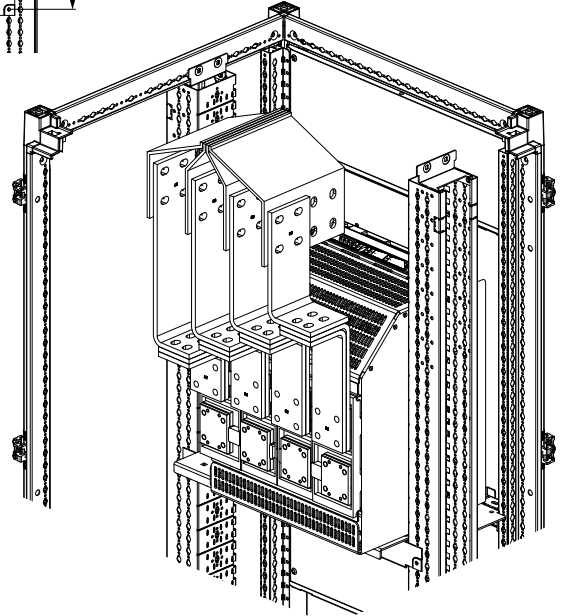
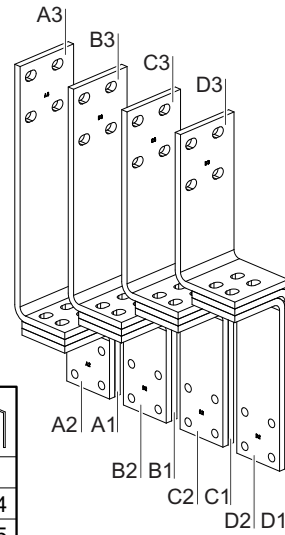
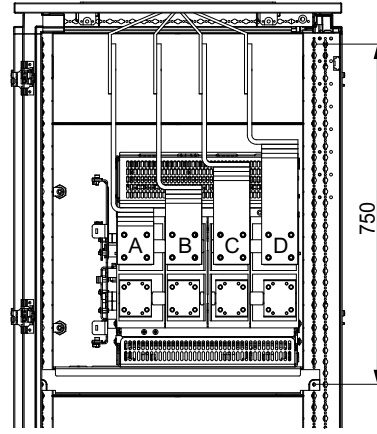
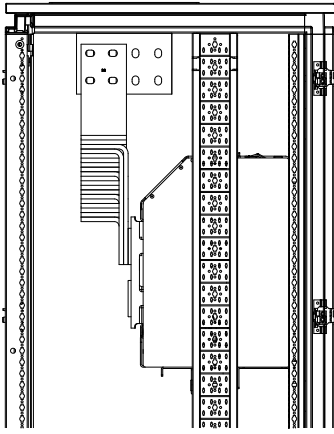
		M8		M12	In	
		Nm		Nm	A	
4 043 00	x 16	15/20	x 24	70/85	1600	0 450 94
4 043 01	x 16	15/20	x 24	70/85	2000	0 450 95



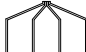
4 043 02



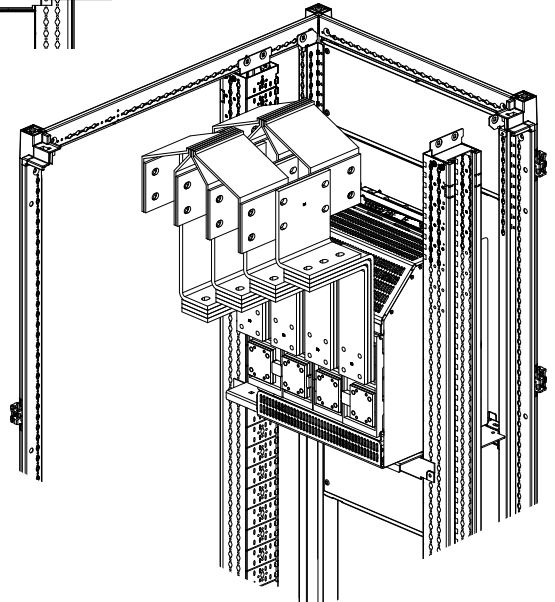
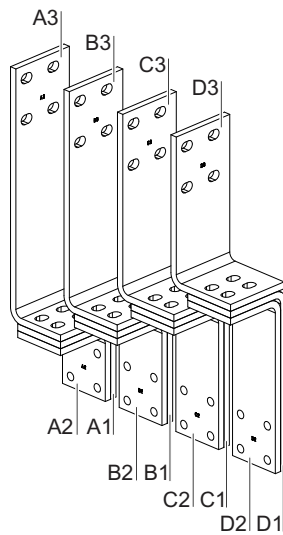
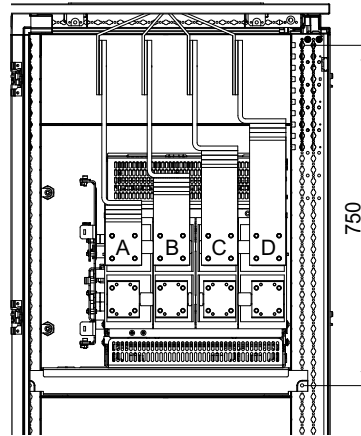
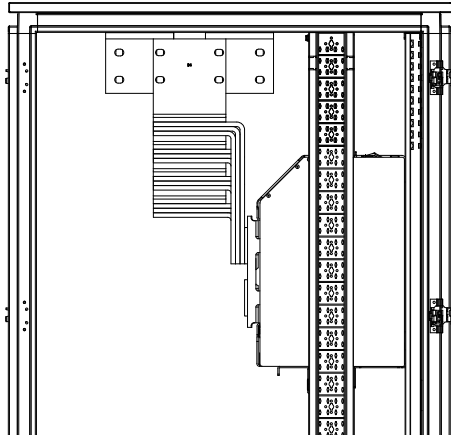
		M8		M12	In	
		Nm		Nm	A	
x 16	15/20	x 28	70/85	2500	0 450 96	




4 043 03  
4 043 04



		M8 8.8		M12 8.8	In	
4 043 03	x 16	15/20	x 32	70/85	1600	0 450 94
4 043 04	x 16	15/20	x 32	70/85	2000	0 450 95

4 043 05



		M8 8.8		M12 8.8	In	
	x 16	15/20	x 28	70/85	2500	0 450 96

