

208 87/88/89

208 87/88	X 1	X 1	X 1	X 2	X 9	X 26
208 89	X 2	X 2	X 2	X 4	X 18	X 34

208 96

208 69

208 97

4b

2000

1000 / 1000

800 / 700 / 1000

200 / 300

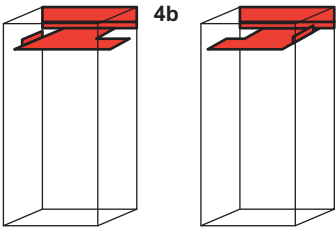
1800

800 / 1000

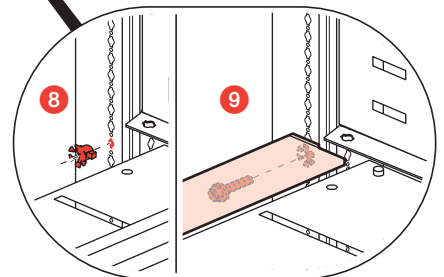
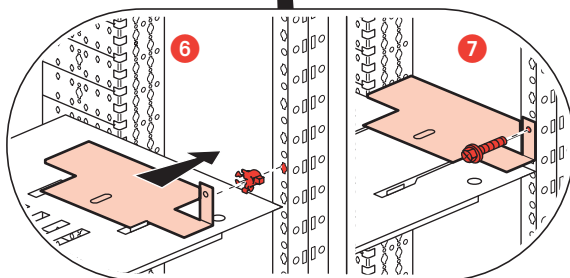
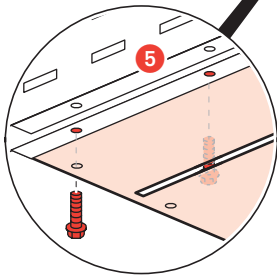
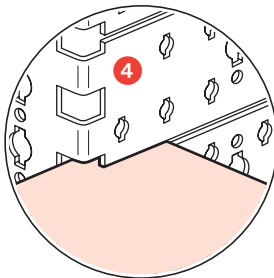
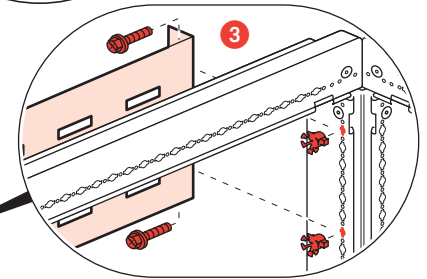
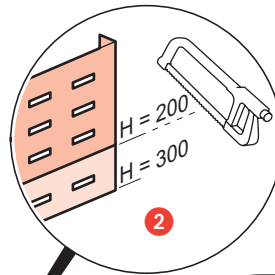
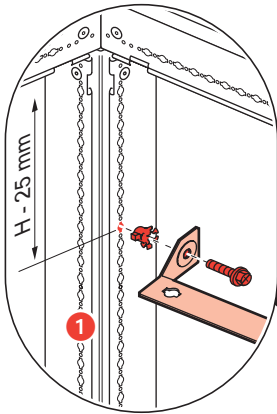
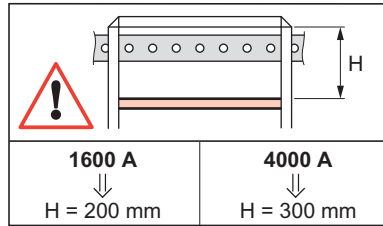
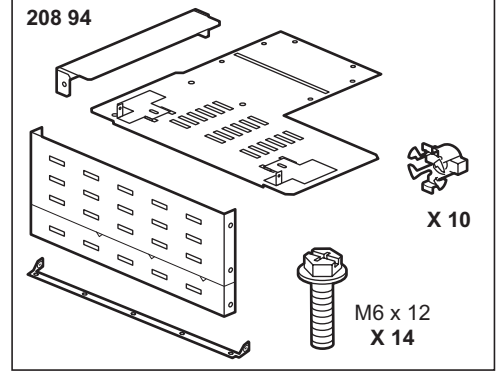
200

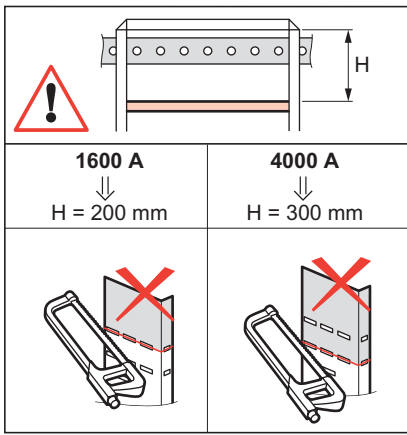
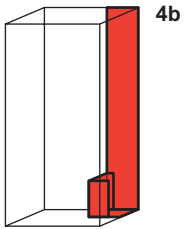
800 / 700 / 800

200 / 300 / 200

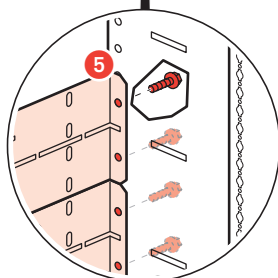
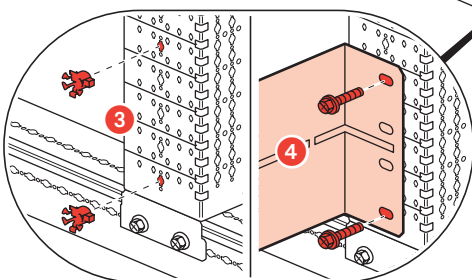
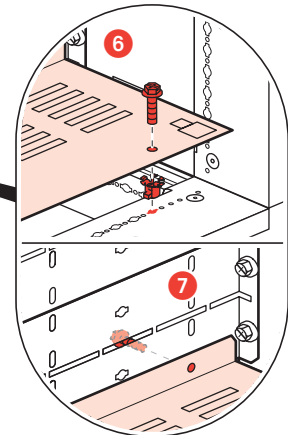
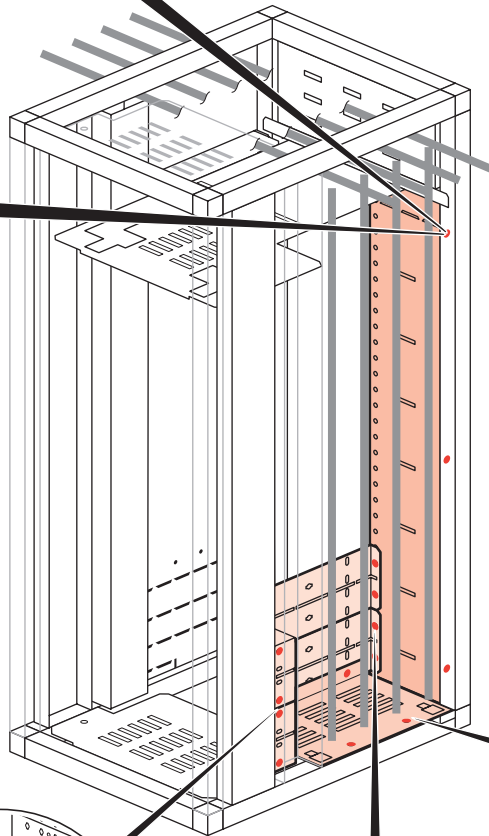
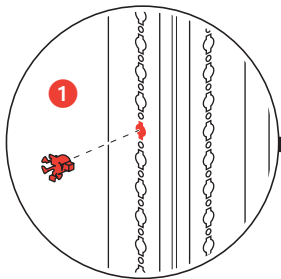
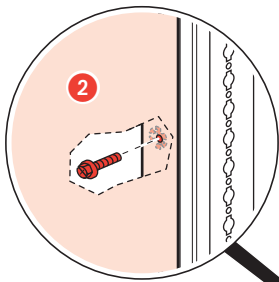
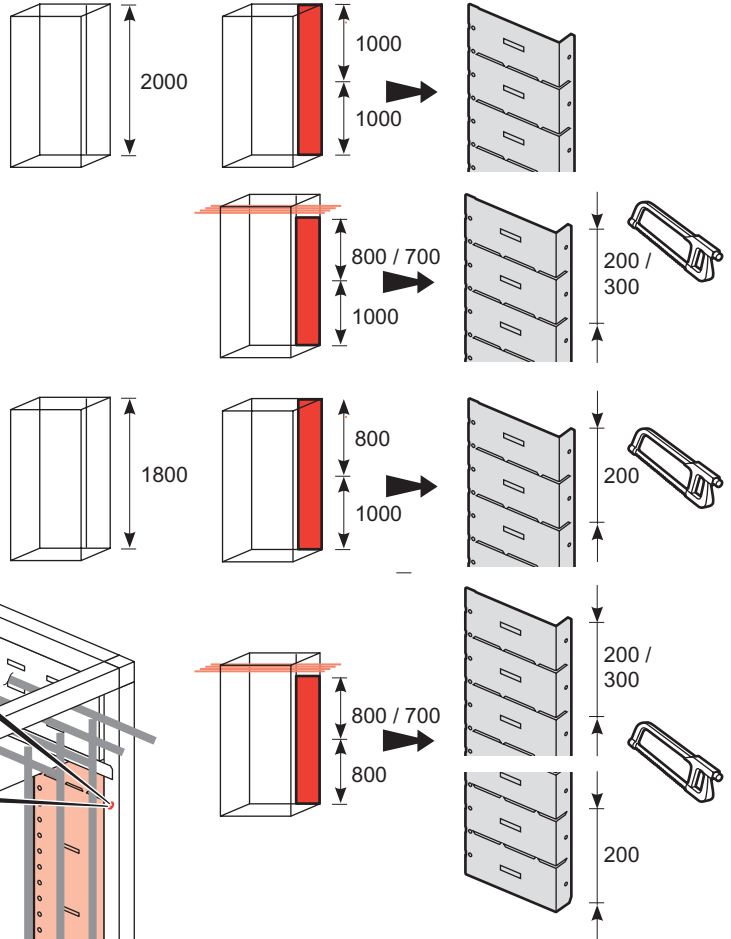
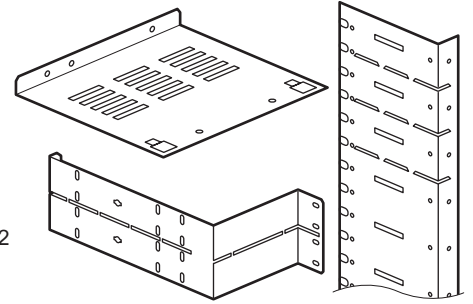
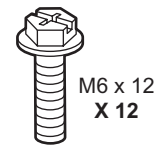


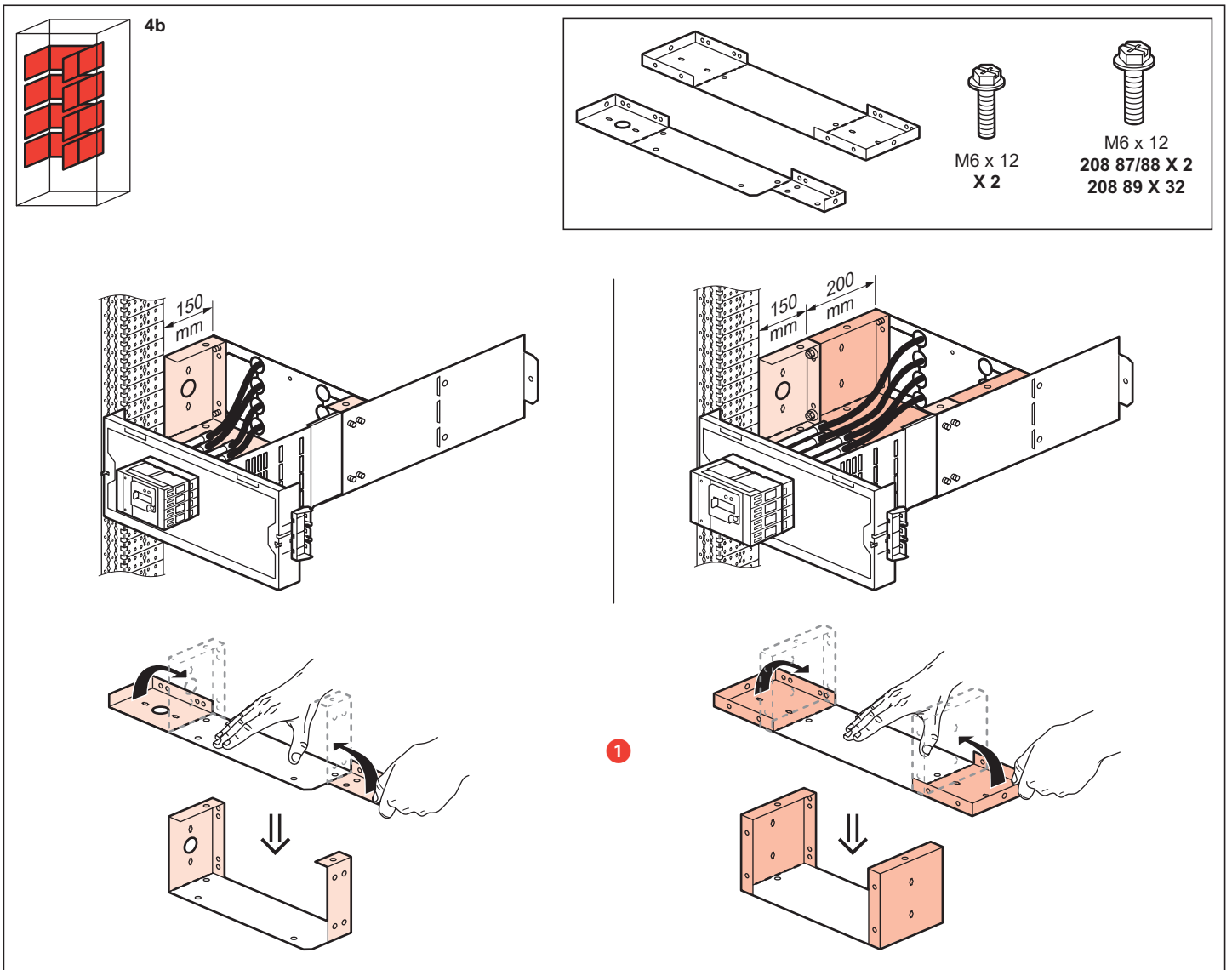
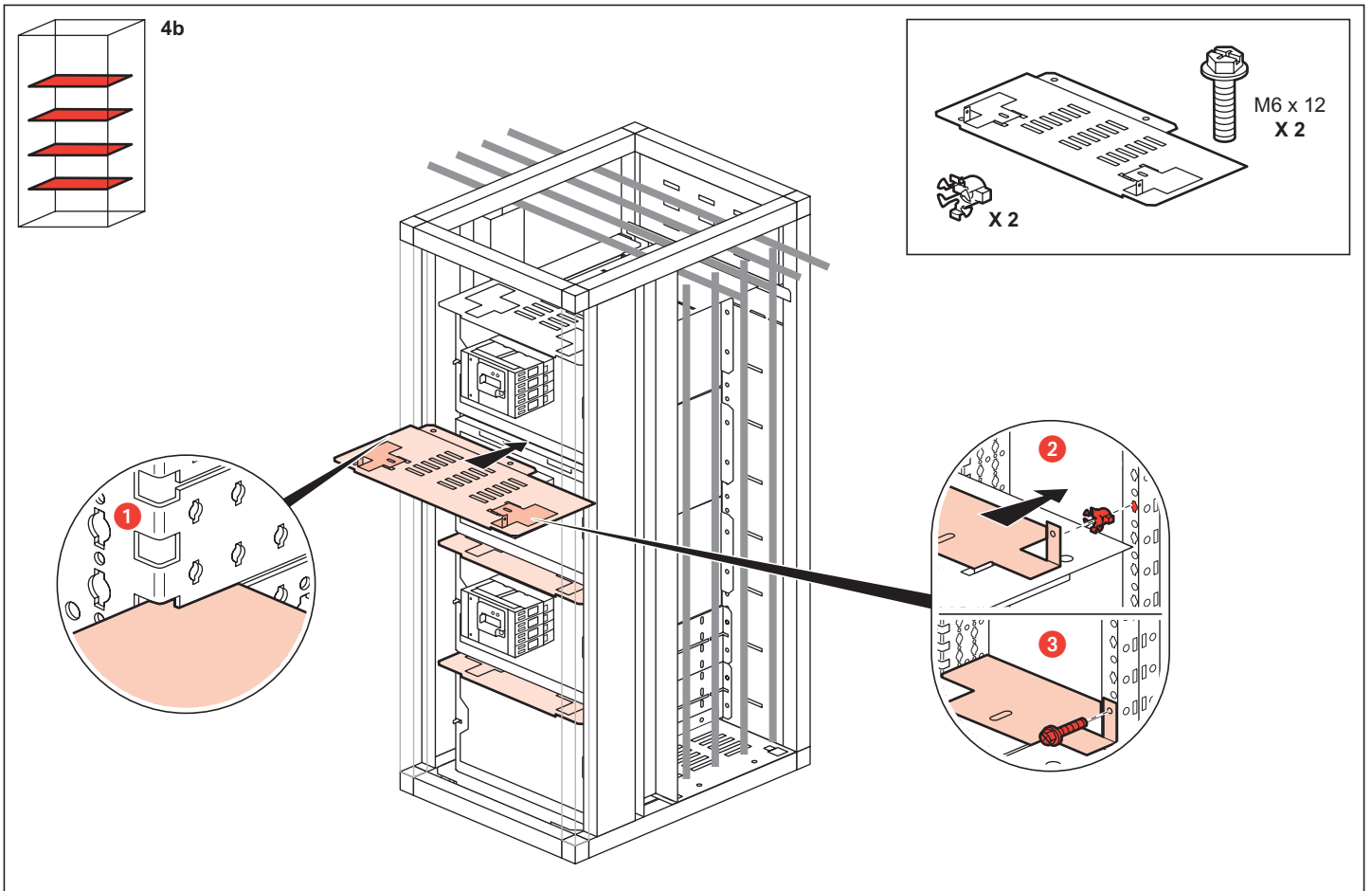
4b

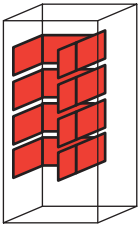




208 96/97/69



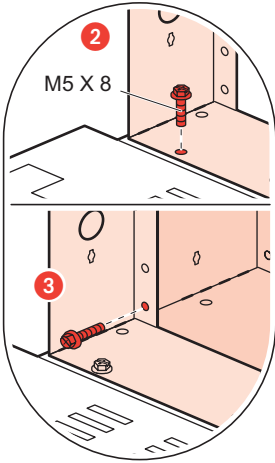
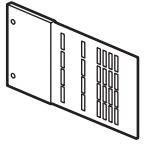
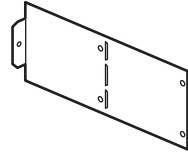
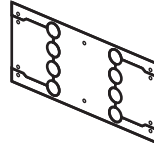




4b



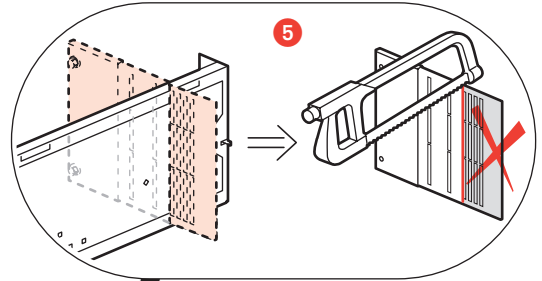
208 87/88 X 9
208 89 X 18



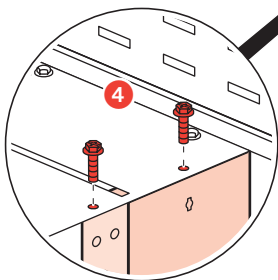
2

M5 X 8

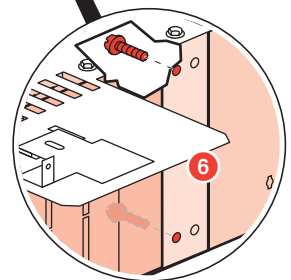
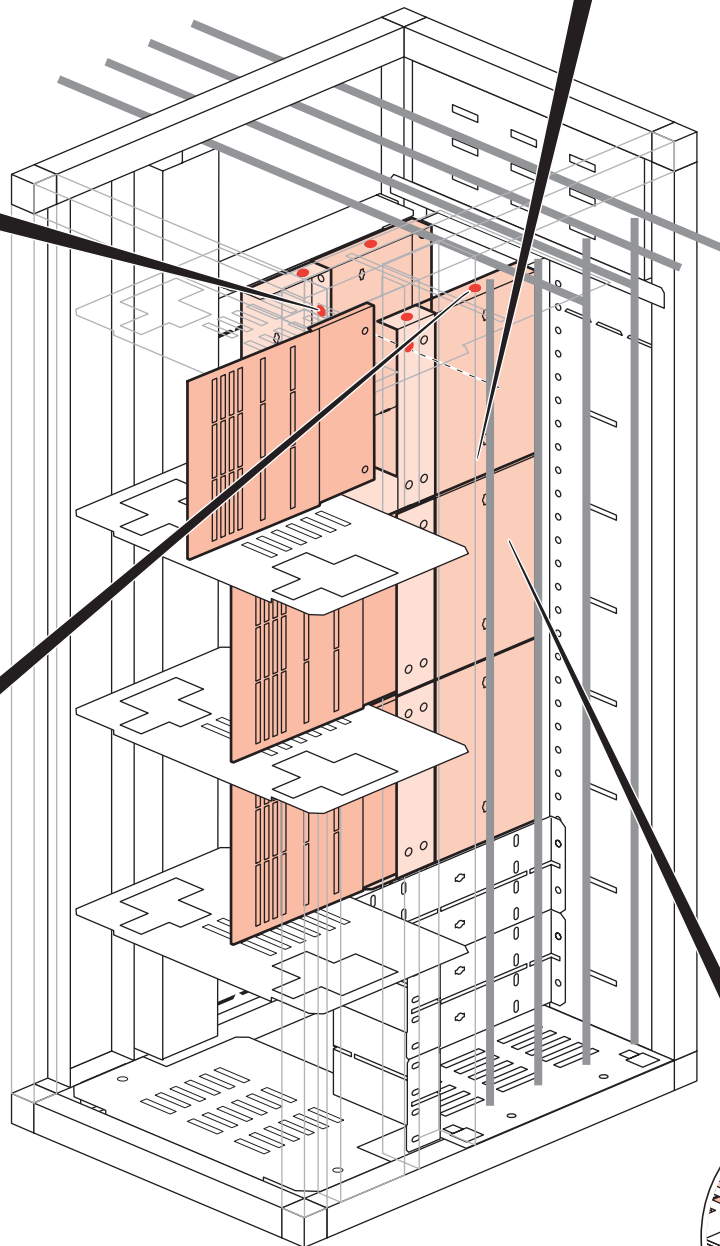
3



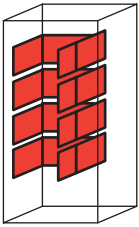
5



4



6



4b

